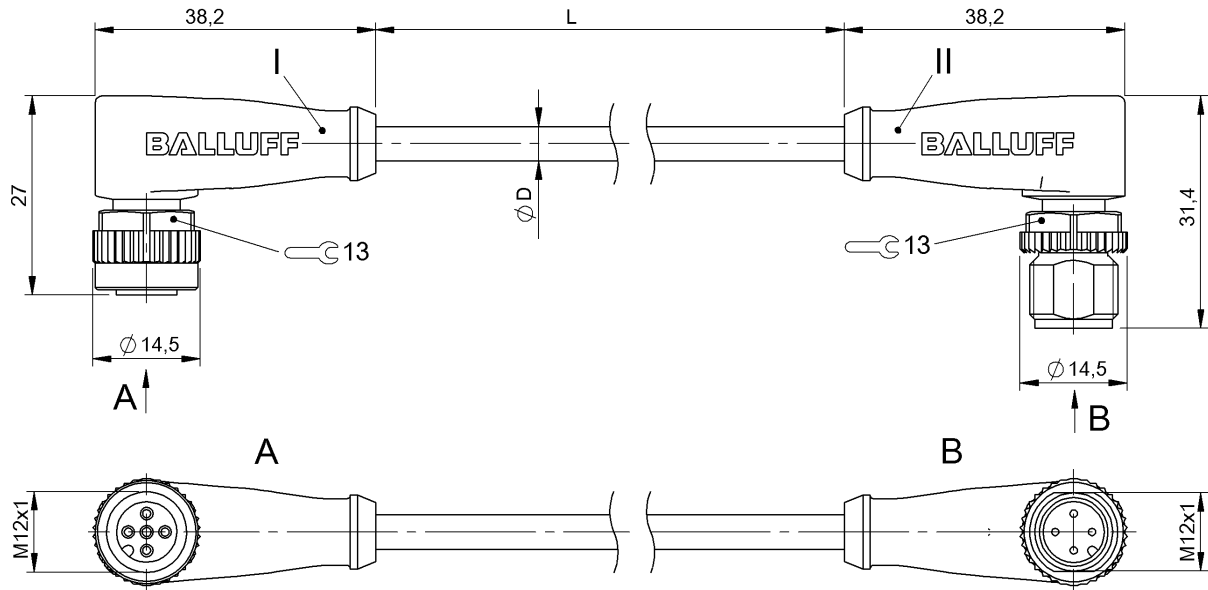


Double-Ended Cordsets  
**BCC M425-M424-3A-304-EX44T2-010**  
**Order Code: BCC063H**

**BALLUFF**



**Basic features**

Approval/Conformity	CE cULus WEEE
---------------------	---------------------

**Electrical connection**

Bending radius min., fixed cable	5 x D
Bending radius min., flexible cable	10 x D
Cable	TPE Yellow, 1 m, drag chain compatible
Cable diameter D	5.30 mm ±0.13 mm
Cable, bending cycles min.	10 mil.
Conductor cross-section	22 AWG
Connection 1	M12x1-Female, angled, 5-pin, A-coded
Connection 2	M12x1-Male, angled, 4-pin, A-coded
Number of conductors	4
System	Molded/Molded

**Electrical data**

Cable rated voltage AC max.	300 V
Cable rated voltage DC max.	300 V
Operating voltage Ub	250 VDC / 250 VAC
Rated current (40 °C)	4.0 A

**Remarks**

Cable construction acc. to UL-AWM Style 20327  
 Flame resistance acc. to IEC 332-2  
 Enclosure rating per IEC 60529 or 20653, only in screwed state with the associated mating piece.

**Environmental conditions**

Cable temperature, fixed routing	-50...105 °C
Cable temperature, flexible routing	-25...105 °C
IP rating	IP67, IP68, IP69K/IP67, IP68, IP69K

**Interface**

Switching output	Complementary
------------------	---------------

**Material**

Cable jacket, material	TPE
Material contact carrier	PUR/PUR
Material contacts	Bronze/Brass
Material cover nut	Die-cast zinc/Die-cast zinc
Material grip	PUR/PUR

**Mechanical data**

Cable jacket, color	Yellow
Cable length L	1.00 m
Cable properties	drag chain compatible
Tightening torque pigtail	0.6 Nm/0.6 Nm

**Connector Drawings**



- |              |                 |
|--------------|-----------------|
| II           | I               |
| PIN 1: brown | PIN 1: brown    |
| PIN 2: white | PIN 2: white    |
| PIN 3: blue  | PIN 3: blue     |
| PIN 4: black | PIN 4: black    |
|              | PIN 5: not used |

**Wiring Diagrams**

